



THERMOLEC



ELECTRIC BOILER

The Latest In Technology for

HYDRONIC HEATING



Standard Features

Fully Modulating

- Ideal for multiple zone systems
- 15% energy savings versus staged boilers

Outdoor Sensor and Reset Control

- Adjusts water temperature based on outdoor temperature to maximize efficiency and comfort

Electronic Aquastat

- Precise supply water temperature control
- Designed for radiant floor or baseboard systems

Stainless Steel Tank

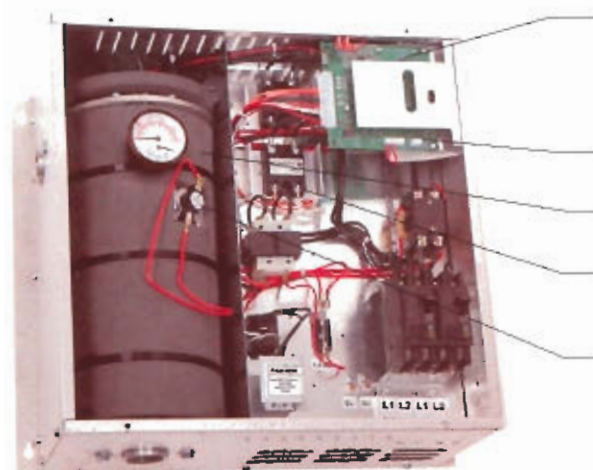
- Durable, corrosion-resistant heat generator vessel

Wide Range of kW Sizes Available

- 5 - 42 kW, up to 600/3

Compact and Lightweight Design

Thermolec Electric Boiler Features



Electronic Controller Function

- Full modulation; maximizes heating efficiency for precise control of output water temperature.
- Aquastat; fully adjustable hi/low water temperature settings.
- Reset control; varies water temperature based on signal from outdoor sensor.

Load Management Control

- Automatically controls boiler based on utility control.

Insulated Stainless Steel Heat Generator Tank

- Corrosion-resistant for long life.

Solid State Control Relays

- Silent, long-lasting control of element switching.
- No mechanical parts to wear out.

High-Limit Protection

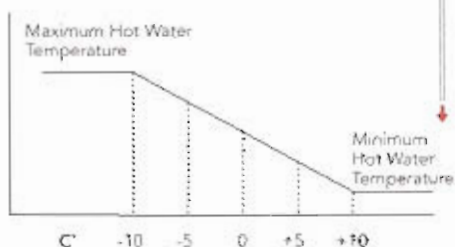
- Built-in safety feature.

Two Models Available

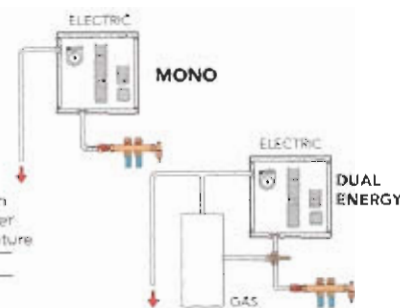
- Mono for stand-alone electric heating.
- Dual-energy models for electric with fossil fuel backup boiler applications.

Outdoor Sensor and Supply Water Temperature Reset

The outdoor reset control proportionally varies the hot water temperature when the outdoor temperature is between -10°C and +10°C. The result is improved comfort and energy savings on mild days.



Typical Installation



Dual-Energy Features

Dual Fuel Control Switch

- Allows for manual selection between gas/oil or electric boiler and automatically switches based on utility company's load management signal.

Diverting Valve Relay

- Automatically diverts waterflow to selected boiler based on load management control.

Standard Model Specifications @ 240v / 1ph (Canada)

Dual-Energy Models	B-5	B-6	B-8	B-9	B-10	B-12	B-15
Mono-Energy Models	B-5M	B-6M	B-8M	B-9M	B-10M	B-12M	B-15M
KW	5	6	8	9	10	11.5	15
BTU/H	17,060	20,472	27,296	30,708	34,120	39,238	51,180
Total Amps	20.83	25.00	33.33	37.50	41.67	47.92	62.50
No. Of Power Supplies (Amps Per Breaker)	1 x 30A	1 x 30A	1 x 50A	1 x 50A	1 x 60A	1 x 60A	1 x 80A

Dual-Energy Models	B-18	B-20	B-23	B-27	B-30	B-35	B-40
Mono-Energy Models	B-18M	B-20M	B-23M	B-27M	B-30M	B-35M	B-40M
KW	18	20	23	27	30	35	40
BTU/H	61,416	68,240	78,476	92,124	102,360	119,420	136,480
Total Amps	75.00	83.37	95.83	112.50	125.00	145.83	166.67
No. Of Power Supplies (Amps Per Breaker)	1 x 100A	1 x 125A	1 x 125A	2 x 80A	2 x 80A	2 x 100A	2 x 125A

Standard Model Specifications @ 3ph (Canada)

Dual-Energy Models	B-18	B-24	B-30	B-35	B-36	B-42
Mono-Energy Models	B-18M	B-24M	B-30M	B-35M	B-36M	B-42M
KW	18	24	30	35	36	42
BTU/H	61,416	81,888	102,360	119,420	122,832	143,304
Amps @ 208V / 3ph	48.00	66.69	83.37	96.00		n/a
Disconnect Switch	60A	100A	100A	100A		
Amps @ 600V / 3ph	17.34	23.12	28.90		34.68	40.46
Disconnect Switch	30A	30A	30A	n/a	60A	60A

* Specify voltage when ordering 3 phase. Ex: B-18-600/3

Dimensions

5-23 kW: 18" x 18" x 9.5"
27-40 kW: 18" x 28" x 9.5"

- Approx. 35lbs
- Approx. 60lbs

Limited Warranty

10 years on elements and tank, 2 years on all other components.

Distributed By:



2060 Lucien-Thimens
Montreal, Quebec, Canada
H4R 1L1

Tel: 514-336-9130 Fax: 514-336-3270

Web Site: www.thermolec.com • Email: sales@thermolec.com

